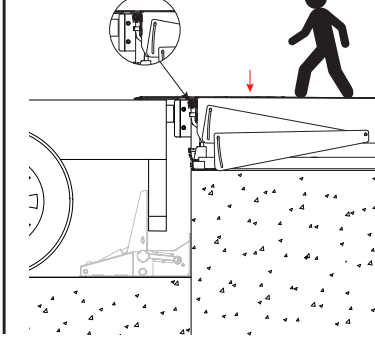
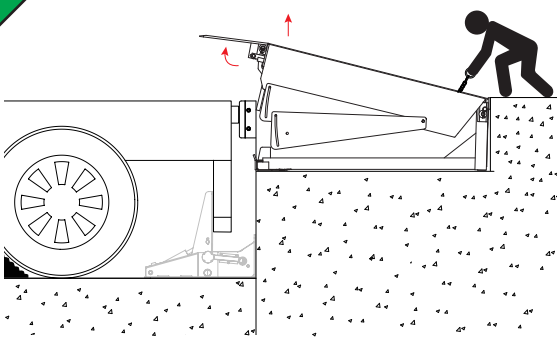


OPERATING INSTRUCTIONS

Only for Mechanical Dock Levelers

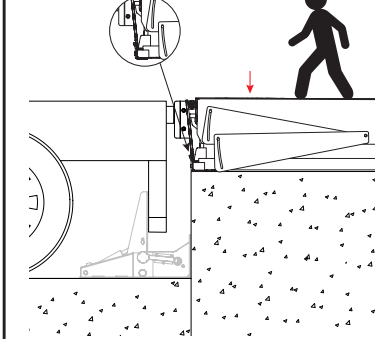
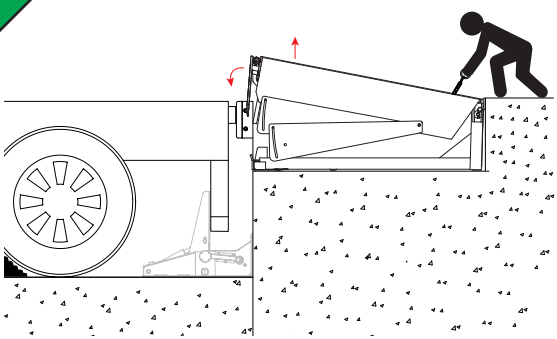
A



DEPLOYING THE DOCK LEVELER

1. Raise the leveler by pulling up the hold-down release ring at the rear of the deck. As the deck rises, the lip will swing up and extend. Let go of the release ring once the deck reaches full height.
2. Walk-down the deck until the lip has lowered onto the vehicle load bed. Do not step on the lip.

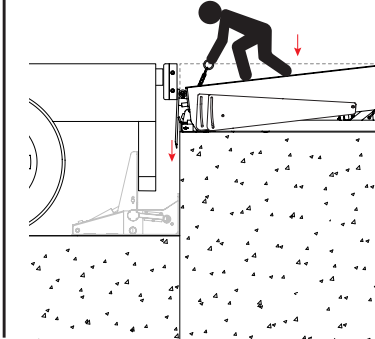
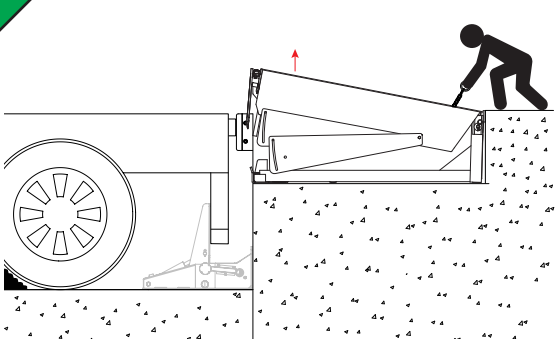
B



STORING THE DOCK LEVELER

1. When loading / unloading procedures have been completed, pull on the hold-down release ring until the deck raises high enough for the lip to clear the load bed. Let go of the release ring.
2. Walk down the deck once the lip has fully retracted. Do not step on the lip. Ensure that the lip is parked inside the lip keeper.

C



BELOW LEVEL / END LOADING

1. Raise the leveler by pulling up the hold-down release ring at the rear of the deck. As the deck rises, the lip will swing up and extend. Let go of the release ring once the deck reaches full height.
2. Approach the front of the deck and pull the below level lip deployment chain until the lip extends enough to position it between the face of the leveler and the trailer. Do not step on the lip.

⚠ DANGER

1. Only trained and authorized personnel may operate this dock leveler.
2. Read, understand, and follow the instructions on this document.
3. Prior to using the dock leveler:
 - Ensure that the dock leveler is free and clear of all debris, snow and ice.
 - Ensure that all personnel near the dock leveler are aware that it is being operated.
 - Operate the dock leveler through one complete cycle to confirm that it is functioning properly. If the dock leveler is equipped with a communications package, confirm that the lights are working as required.
 - Inspect unit for signs of structural damage or mechanical malfunction. If damage is observed or the restraint fails to operate properly, remove it from service and notify maintenance personnel immediately.
4. When using the dock leveler:
 - Confirm that the transport vehicle has been properly restrained.
 - Keep hands and feet clear of pinch points.
 - If the dock leveler is equipped with a light communication package, load and unload on green only.
 - Do not exceed the rated capacity as indicated on the serial plate.
 - Do not leave equipment or material unattended on the dock leveler.
 - Keep a safe distance from both edges.
 - If dock leveler fails to operate as outlined in the accompanying manual's operating instructions, refer to the Troubleshooting section.
5. If service or maintenance is required:
 - Only authorized service personnel shall maintain or service the unit.

APPLIES TO ALL DOCK LEVELERS