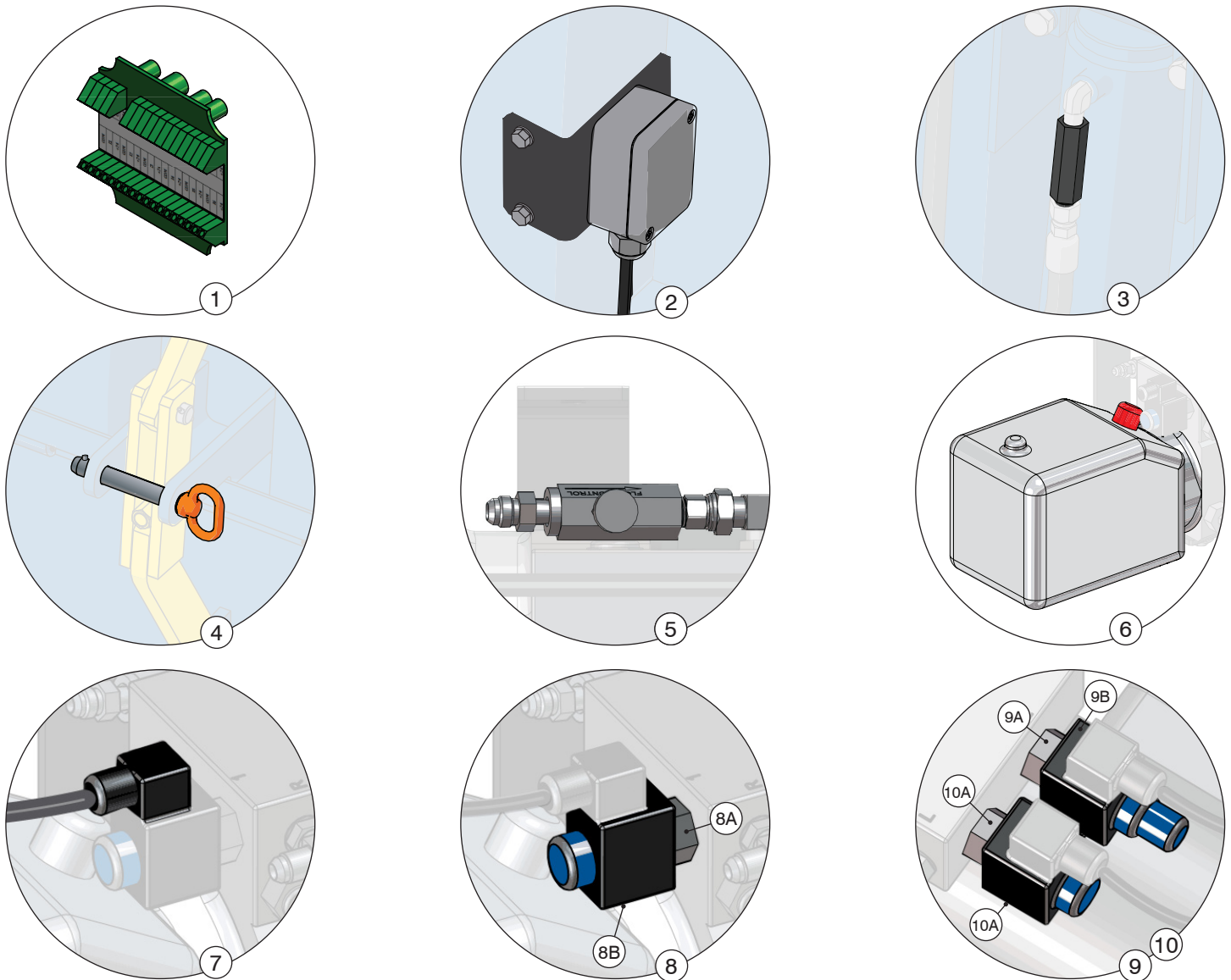


RECOMMENDED SPARE PARTS

VL Vertical Storing Dock Leveler with Blue Genius™ Touch Control



VL Vertical Storing Dock Leveler with Blue Genius™ Touch Control

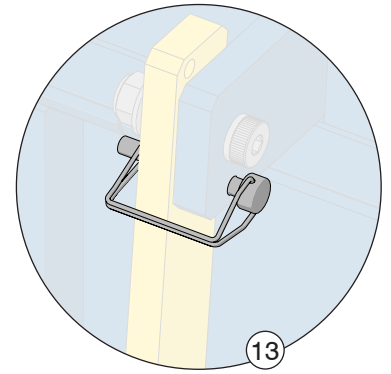
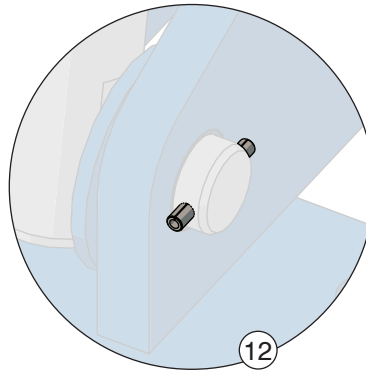
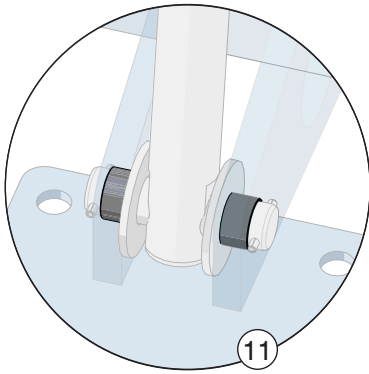
Available in 30,000, 35,000, 40,000, and 45,000 lb (13,636, 15,909, 18,144, and 20,454 kg) rated capacities

RSP FOR VL – STD OPERATIONAL COMPONENTS			
ITEM NO.	PART NO.	DESCRIPTION	QTY REQ'D
1	026-G025BM	Remote I/O Board (No Resistor)	1
2	026-G024-A	Inclinometer Assembly	1
3	033-661	Velocity Fuse	1
4	013-077	Lock Pin	1
5	080-511	Deck Flow Control - VL Powerpack	1
6	080-510	Reservoir Kit - VL Powerpack	1
7	026-G074	Solenoid Valve Connector with Cable	1

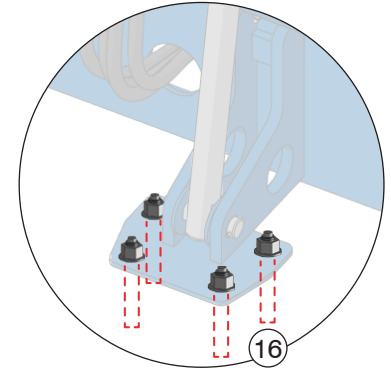
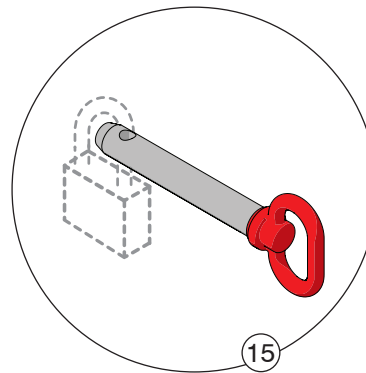
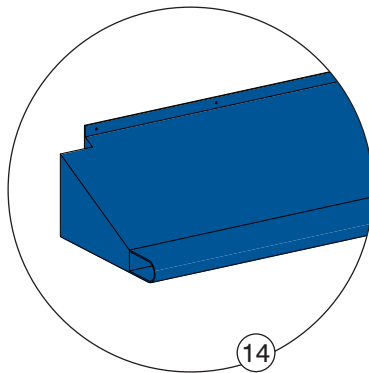
RSP FOR VL – STD OPERATIONAL COMPONENTS			
ITEM NO.	PART NO.	DESCRIPTION	QTY REQ'D
8	080-K001	SV1 Kit	8A: 080-513 - Dir. Valve
			8B: 080-515 - 24VDC Coil
9	080-K002	SV2 Kit	9A: 080-512 - Deck Valve
			9B: 080-525 - 24VDC Coil
10	080-K003	SV3 Kit	10A: 080-516 - Lip Valve
			10B: 080-525 - 24VDC Coil

RECOMMENDED SPARE PARTS

VL Vertical Storing Dock Leveler with Blue Genius™ Touch Control



RSP FOR VL – STD OPERATIONAL COMPONENTS			
ITEM NO.	PART NO.	DESCRIPTION	QTY REQ'D
11	018-050	Bushings	2
12	013-127	3/16" Dia. Spring Pin x 1.50	8
13	013-078	Linch Pin 3/8" Dia. x 2-1/4" Usable	1



RSP FOR VL (OPTIONAL)			
ITEM NO.	PART NO.	DESCRIPTION	QTY REQ'D
14	23-013158	Draft Pad	1
15	013-092	Lock-out/Tag-out Safety Stand Pin	1
16	010-108	5/8" dia. x 6" (152mm) Anchor Wedge	6