

START SCREENING YOUR VISITORS!



Comes complete with steel canopy

Wind stabilizer bars prevent blow-out

Operation is assisted by a counterweight or spring assisted counter balance system



Vinyl coated polyester screening with optimal mesh size. Other fabrics available.

Optional electric motor mounted in fabric roll

Can be mounted in front of an exterior door

Allows unrestricted air flow and natural light

Chain weighted bottom bar provides excellent seal

SERIES 8000 BUG DOOR

The SuperSeal Mfg. Ltd. SUPER SCREEN allows unrestricted air flow and natural light through door openings up to 12' x 12'. It creates a screened barrier that stops birds, bugs and rodents from entering your facility, thus improving product quality, employee comfort, safety and productivity. The fabric is weather, abrasion and rot-resistant. The SUPER SCREEN door consists of 14-gauge steel guide/side frame and incorporates a bottom latching mechanism. Internal wind stabilizer bars and canopy are also standard.



SPECIFICATIONS

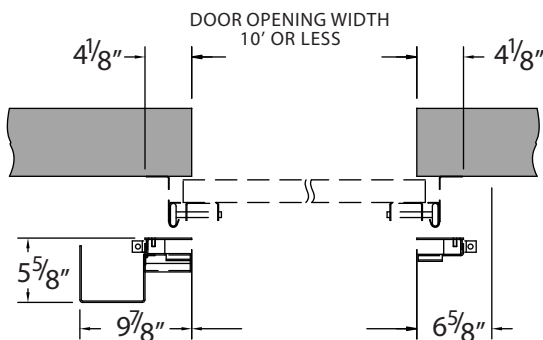
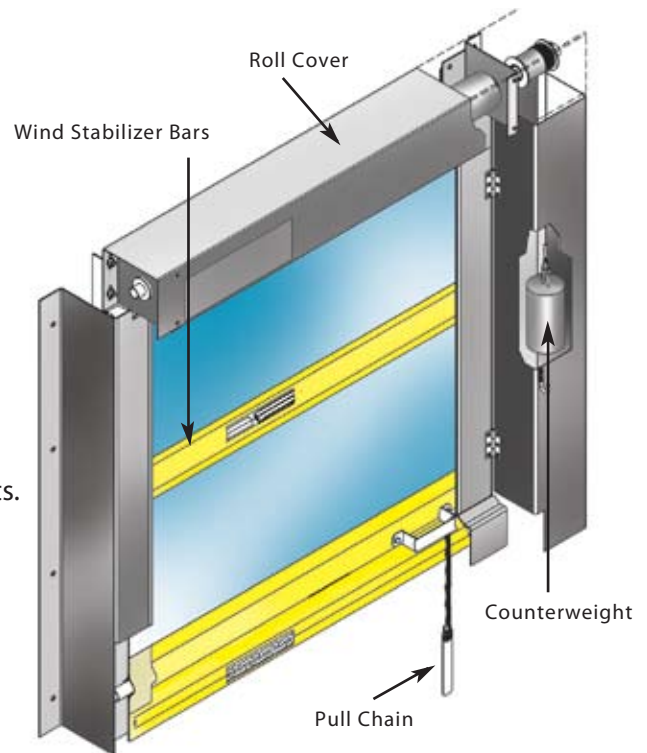


Series 8000 BUG DOOR Product Details:

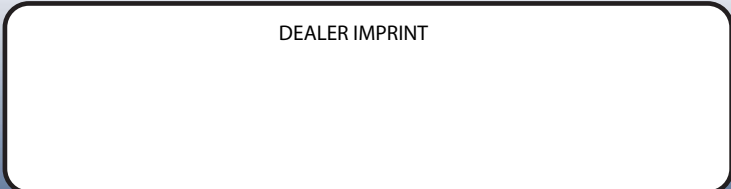
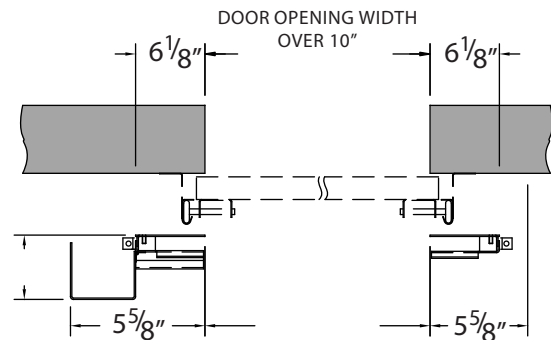
- The Series 8000 Bug Door will suit door openings up to and including 12' x 12'.
- Allows unrestricted air flow and natural light.
- High quality vinyl coated polyester screening with optimal mesh size.
- Screening is flame retardant and has a high tear and tensile strength.
- Screening is weather, abrasion and rot resistant.
- Door consists of 14-gauge steel guide/side frame track, complete with canopy.
- Chain weighted bottom bar provides positive bottom seal.
- The door is operated manually by means of a handle and pull chain and is balanced by counter weights.
- Can be mounted in front of an exterior door (Example: Shipping & Receiving door).
- Provides an interior barrier between production departments.
- Wind load stabilizer bars.
- Custom modifications available.
- Fully enclosed steel frame with nylon brush gasketing.
- Other fabrics available upon request.

Options:

- Projection frame.
- Between jambs mounting.
- Galvanized steel frame.
- 1" keyed shaft.



TOP VIEW



** All Super Seal products are subject to design modifications without notice. Product may be shown with non-standard options.