

BGL-22

Walkie version of the sit-down rider lift truck makes it an ideal choice for manufacturing work cells and handling a variety of load sizes.

CAPACITY

- 2200 lb (998 kg) at 24" (610 mm) load center

BATTERY

- 24-volt four pack power MF 224 AH with 5.4 kWh 100V AC plug-in charger
- Minimum battery weight: 340 lb (154 kg)
- Compartment dimensions (open): 26.4" x 9.1" (671 x 231 mm)
- Connector: SB-175 Gray—A-11

SPEED

- 24-volt ZAPI AC-0 travel controller

- **EMPTY:** 0 - 3.4 mph (5.5 kph)
- **LOADED:** 0 - 3.1 mph (5 kph)

- **LIFT - EMPTY:** up to 33 fpm
- **LIFT - LOADED:** up to 25 fpm

- **LOWERING - EMPTY:** up to 29 fpm
- **LOWERING - LOADED:** up to 57 fpm

TILT

- **BACK:** 4°
- **FORWARD:** 2°

TIRES / WHEELS

- **DRIVE:** 9" x 3" (229 x 76 mm) polyurethane
- **LOAD:** 8" x 3" (203 x 76 mm) polyurethane

HYDRAULICS

- Hard chrome lift cylinder
- Pump unit includes motor, gear pump, solenoid, and pressure compensated lowering valves that regulates lowering speed

ELECTRICAL

- ZAPI AC-0 travel controller and AC drive motor provides high torque throughout entire drive range
- Low-maintenance brushless design
- Automatic resetting circuit breaker and one piece micro switch
- Low battery interrupt
- Hour meter / battery discharge indicator combo

BRAKES

- Regenerative electromagnetic is mounted on motor armature shaft, multiplying the braking power through the transmission
- Travel speed reduced when forks above 12" (305 mm) fork height



- Brake is applied when control arm is in the vertical or horizontal handle position
- Neutral braking resists roll back on ramps

OPERATION / CONTROLS

- Ergonomic operator handle with travel, lift, and lower functions
- Wrap around guard
- Reversing switch
- Thumb control
- Key switch and horn
- Gas-assisted spring handle

TRANSMISSION

- Vertically mounted drive motor direct mounted to gear housing
- Oil-bathed ZF GK10 hypoid bevel gear drivetrain
- State-of-the-art optimized gear technology provides minimal envelope circle, zero maintenance, and low noise level

FRAME AND MAST

- Bolt-on high-visibility I-beam construction, lift cylinders are positioned on outer I-beam for best view through mast
- Dual lifting chains
- Class II ITA fork carriage with 36" (914 mm) tall load back rest
- Adjustable forks

BEARINGS

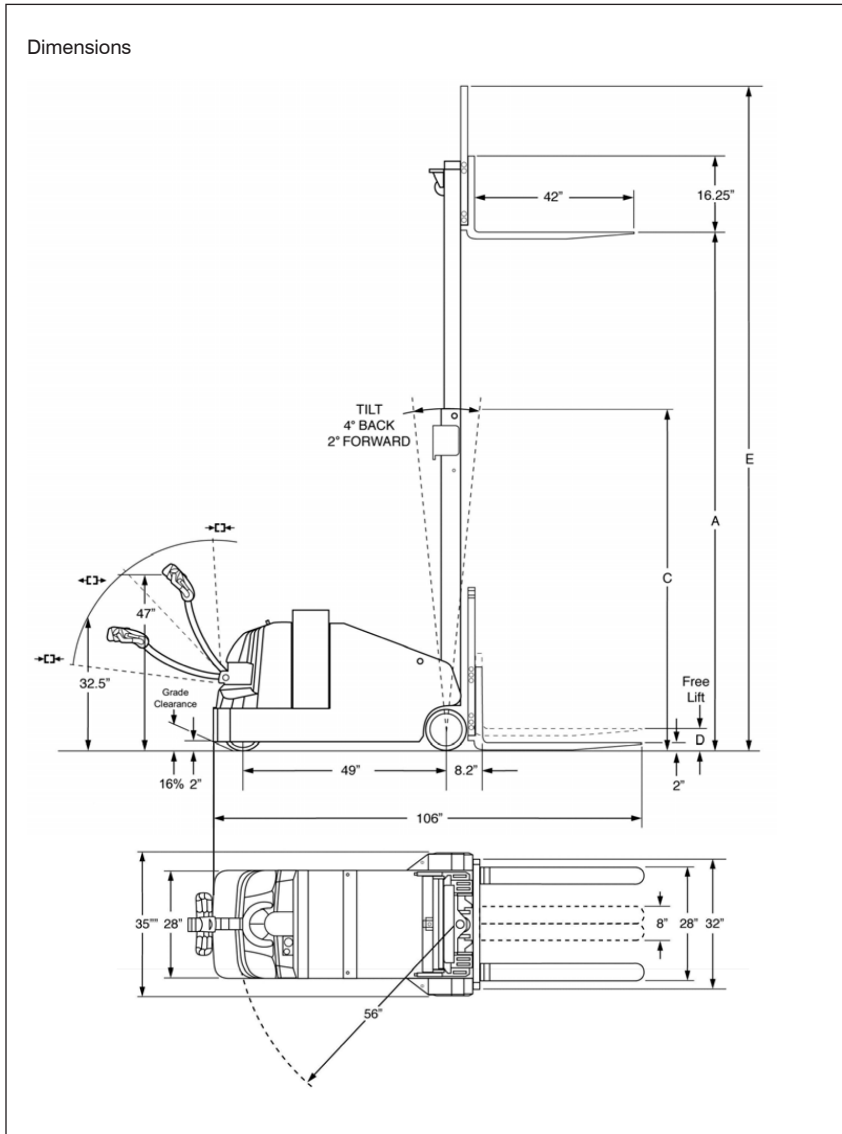
- **DRIVE WHEEL:** Tapered roller bearings sealed in oil bath
- **LOAD WHEELS:** Sealed ball bearings

ACCESSIBILITY

- Removal of two piece power head cover exposes major components for inspection and maintenance
- Drive wheel is removed with one nut

OPTIONAL EQUIPMENT

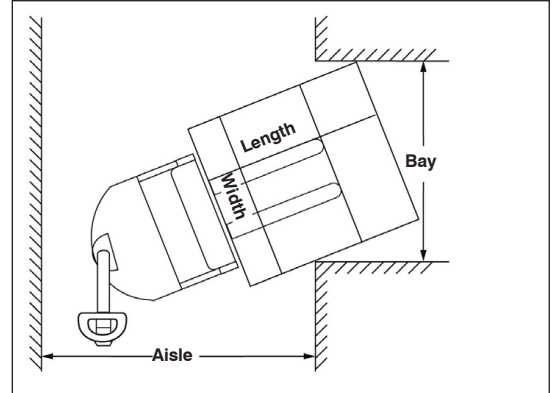
- Industrial battery 255 AH 5.9 kWh



Aisle Guide
BGL-22 Right Angle Stacking

Load Width	Load Length		
	36"	40"	48"
36"	914 mm		
40"	1016 mm	115" (2844 mm)	120" (3073 mm)
48"	1219 mm		125" (3277 mm)

For ease of use add 6" to 8" aisle dimension listed.



Note: Aisle dimensions listed above assume the larger dimension; load width or load length. For ease of use add 6" to 12" for operator clearance to the appropriate specifications listed above. Truck performance may vary due to application requirements and changes in model design.



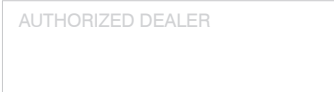
Model#	Mast	Lift Height	Col Height	Free Lift	Ext Height w/LBR	Gradability		Weight Chassis Only	
						Loaded	Unloaded	lb	kg
		A	B	C	E	F	G		
2200 lb (998 kg) Capacity at 24" (610 mm) Load Center ITA Class II Fork Carriage									
BGL-22-104	Telescopic	104" (2641 mm)	72.3" (1836 mm)	6" (152 mm)	143" (3632 mm)	5%	8%	4500	1816
BGL-22-128	Telescopic	128" (3251 mm)	83.2" (2113 mm)		165" (4191 mm)	5%	8%	4550	1852
BGL-22-157*	Triple Stage	157" (3988 mm)	71.0" (1803 mm)	50" (1270 mm)	193" (4902 mm)	5%	8%	5007	2271

* Derates 400 lb above 128"



Corporate 85 Heart Lake Road South
Brampton, ON, Canada L6W 3K2
t 905.457.3900 f 905.457.2313

USA 6350 Burnt Poplar Road
Greensboro, NC 27409
www.BlueGiant.com



Blue Giant offers a full line of dock levelers, dock safety equipment, seals and shelters, accessories, ergonomic and scissor lift equipment and industrial trucks. Concurrent with our continuing product improvement program, specifications are subject to change without notice. Please contact Blue Giant for latest information. Some features illustrated may be optional in certain market areas.